

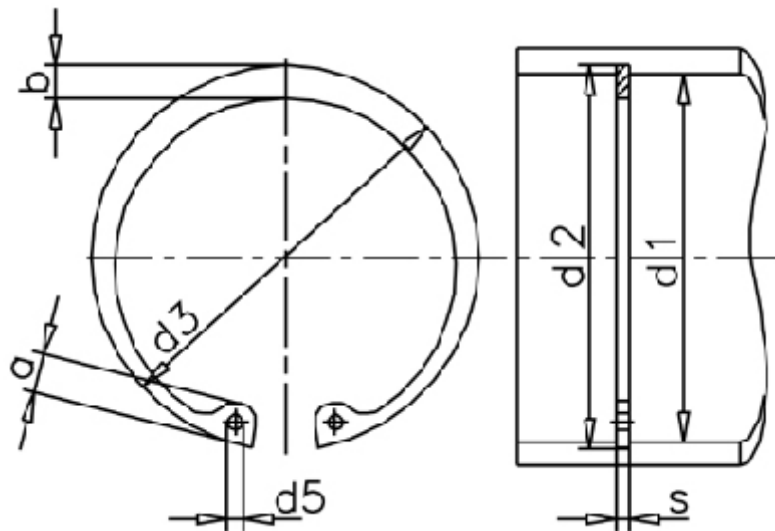
Data Sheet



Article number: 0102048

Description: Retaining ring J31 DIN472
Spring steel

Measures



a max	= 5.2	FN kN	= 14.10	t	= 0.85
AN mm ²	= 84.8	FRg kN	= 4.7	tol	= +0,25
b	= 3.1	FR kN	= 13.8	tol	= +0,50-0,25
d1	= 31	g	= 1.0	tol	= -0.06
d2	= 32.7	K kN-mm	= 26.8	Tong	= ZGJ-2
d3	= 33.40	m min	= 1.30	Weight kg/1000	= 2.10
d5 min	= 2.5	Nominal drive	= 2.6		
Description = J 31		s	= 1.20		